

EVO E DATA SHEET



5
YEAR
WARRANTY



Product information

The EVO E Down light is a nice product suitable for most lighting applications. Easy installation with tool free mounting design and screwless terminal block. It has excellent dimming performance on various leading edge or trailing edge dimmers. Moreover, it's flicker free, CRI up to 97.

EVO ECO, simply good !

Features

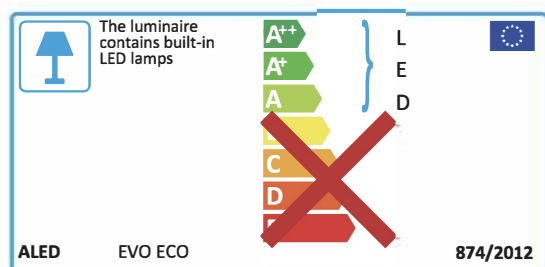
- * High strength spring installation, screwless terminal block
- * IP 54 rated, suitable for both indoor and outdoor applications
- * Suitable for cutting holes with diameter from 68~83mm
- * 50000 hours lifetime (L90B10). 5 Year Limited Warranty.
- * Compatible with both leading edge & trailing edge dimmers
- * Flicker free, CRI up to Ra97
- * Complied with IEC/EN62471 photobiological safety standard



Operation and Maintenance Tips

- * Turn power off before inspection, installation or removal
- * Lamps should be kept free from contamination.
- * The luminaire is not suitable for emergency lighting
- * All install and uninstall shall be done by a certified electrician
- * Do not operate luminaire with damaged parts

Energy Label



Electrical and Photometric Characteristics

Nominal Voltage:	AC 220-240V
Operating frequency:	50/60Hz
Input current:	38mA
Inrush current:	< 2A
Power Factor:	0.9
Working temperature range:	-20°C ...+40°C
Starting time:	< 0.5 s
L90B10 Lifetime at Ta: 25°C	50,000 hrs
Switching cycles:	> 100,000 times
Percent flicker:	< 2%
Flicker index:	0.004
Beam angle:	45°
Dimmable:	Yes
SDCM:	3 steps
Risk group (EN 62471:2008)	RG1
IP rating:	IP54
EEC:	A+

* Exceeding maximum ratings for operating temperature and input voltage will reduce expected life time or destroy the product.

Specifications

EAN Code	Module Wattage*	Size mm (DxH)	CCT (Kelvin)*	Rated Flux (Lm) *	CRI (Ra)*	Beam angle*	Energy Class	SDCM	Trim Color	Dimmable
EVO E Hvid										
570304600100	6W	90x42	2700	520	97	45°	A+	3	White	Yes
570304600200	6W	90x42	3000	540	97	45°	A+	3	White	Yes
570304600300	6W	90x42	4000	580	97	45°	A+	3	White	Yes
EVO E Sort										
570304600400	6W	90x42	2700	520	97	45°	A+	3	Black	Yes
570304600500	6W	90x42	3000	540	97	45°	A+	3	Black	Yes
570304600600	6W	90x42	4000	580	97	45°	A+	3	Black	Yes
EVO E Udendørs Hvid										
570305100100	6W	90x42	2700	520	97	45°	A+	3	White	Yes
570305100200	6W	90x42	3000	540	97	45°	A+	3	White	Yes
570305100300	6W	90x42	4000	580	97	45°	A+	3	White	Yes
EVO E Udendørs Sort										
570305100400	6W	90x42	2700	520	97	45°	A+	3	Black	Yes
570305100500	6W	90x42	3000	540	97	45°	A+	3	Black	Yes
570305100600	6W	90x42	4000	580	97	45°	A+	3	Black	Yes
EVO E Sunfall Hvid										
570304700100	6W	90x42	2500-3000	480	95	45°	A+	3	White	Yes
EVO E Sunfall Sort										
570304700200	6W	90x42	2500-3000	480	95	60°	A+	3	Black	Yes

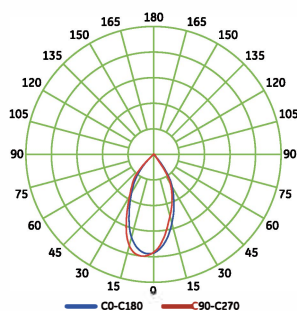
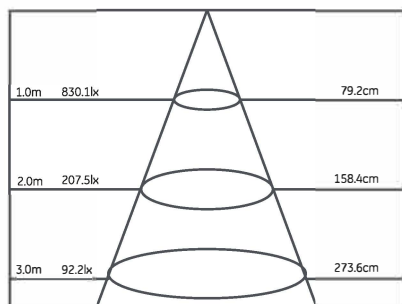
* Due to the special conditions of the manufacturing processes of LED, the typical data of technical parameters can only reflect statistical figures and do not necessarily correspond to the actual parameters of each single product which could differ from the typical value. A max 10% tolerance is deemed to be acceptable in any case.

* System power consumption 7.5W, 38D version also available upon request.

Maximum loading of automatic circuit breakers

Breaker type	C10	C13	C16	C20	B10	B13	B16	B20	Inrush current	Inrush time
EVO E	120	160	200	240	60	80	100	120	I _{max} 2A	150μs

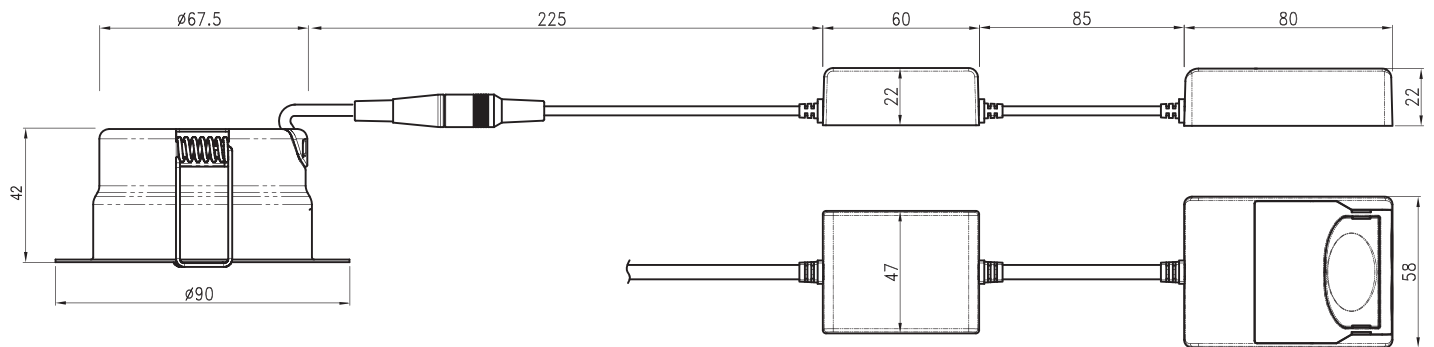
Distribution of luminous intensity



Dimension Diagram

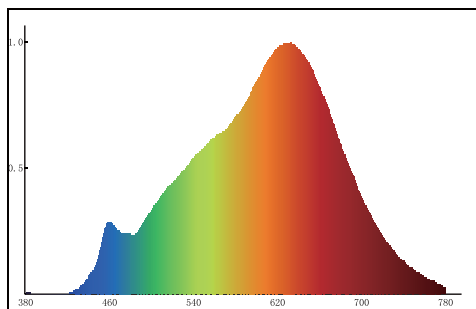
Item	Outer Diameter (mm)	In-ceiling Height (mm)	Cut-hole (mm)
LED Module	90	40	68-83

Item	Length (mm)	Width (mm)	Height (mm)
Junction box	80	58	22
Driver box	60	47	22

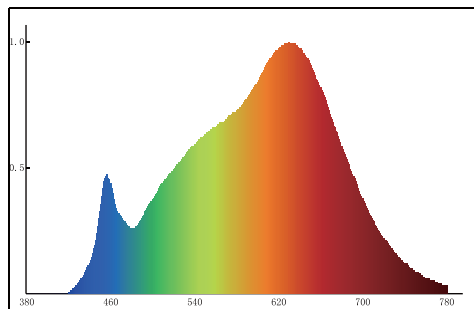


Spectrum Distribution

Warm white - 2700K



Warm white - 3000K



Warm white - 4000K

